

LBC-3k45P ISOLATED EV BATTERY CHARGER

3kW 450 Volt Fully Automatic EV Battery Charger

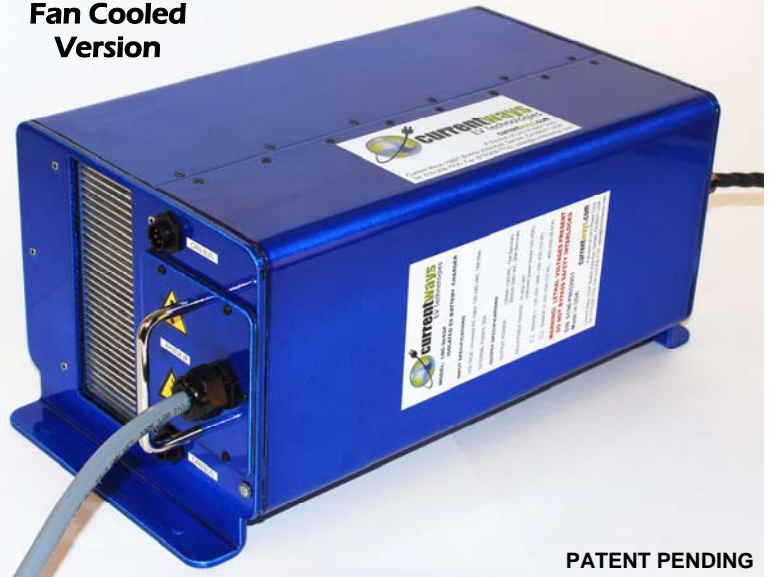


This versatile, ruggedized and environmentally protected AC-DC charger can be mounted inside the vehicle providing charging capability anywhere the vehicle goes.

The LBC-3k45P can also be configured to be used as a charging station providing electrical charge at home, work, or at a designated EV Charging Station freeing up space and weight in your vehicle.

DC input from Fuel Cells can also be Supported. Please contact the factory for details.

Fan Cooled Version



PATENT PENDING

PRODUCT FEATURES:

- Constant Power Output Bulk Charger with constant voltage and constant current modes
- Configurable Dual Range Output Modules available, 125~225VDC or 225~450VDC
- Fully isolated output, two stage design
- Current controlled universal power factor corrected (PFC) input
- Microprocessor controlled with dual CAN bus interface
- Time of day clock for programmable charging times
- Programmable charging profiles
- Multiple units can be paralleled for higher output levels 6kW, 9kW, 12kW and up
- Two chargers can be stacked in series for higher voltage and charging power
- Air cooled with thermostatically controlled fan. Water cooled versions also available
- LED indicator for charging status
- Modular Construction
- Multiple Mounting options

INPUT SPECIFICATIONS

VOLTAGE	Universal AC Input (90-264 VAC)
FREQUENCY	47-63Hz
INRUSH CURRENT	< 40A @ 230 VAC, 60 Hz, Full Load
CURRENT	12A / 16A Depending on line voltage
PROTECTION	Fuse 20A
LEAKAGE	< 3mA @ 230 VAC, 60 Hz
HOLD-UP	20 ms > 85 VAC
EFFICIENCY	85-90% typical depending on line voltage
HARMONICS	EN61000-3-2

OUTPUT SPECIFICATIONS

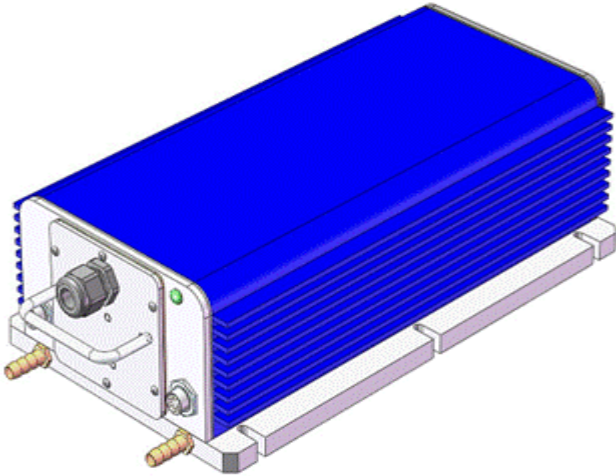
OUTPUT POWER	1200W (120VAC 15A service) 3000W (240VAC 30A service)
ADJUSTABLE RANGE	10-450 VDC (reduced power below 125 VDC)
TEMP REGULATION	0.00017° C / W @ 60° C Ambient Air
RIPPLE	< 1% below 20 MHz
SETPOINT ACCURACY	~ 2% overall
OVER CURRENT	105% Self Limiting
OVER VOLTAGE	110% Self Limiting



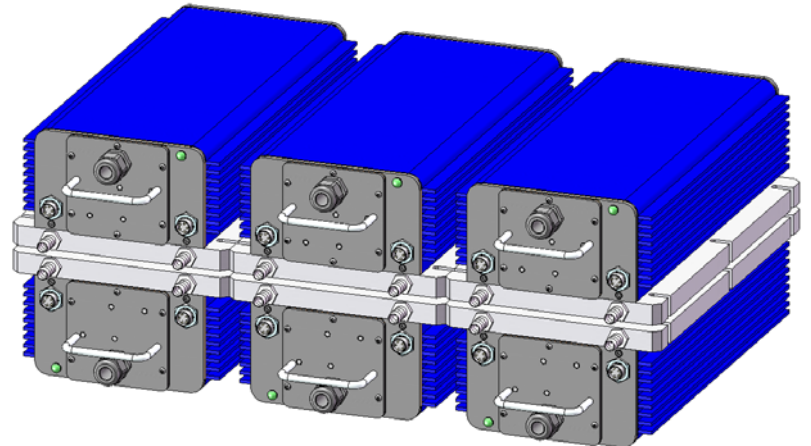
currentways.com
A division of LHV Power Corp.

Current Ways 10221 Buena Vista Ave. Santee, CA 92071 USA
Tel: 619.258.7700 Fax: 619.258.7733 sales@currentways.com

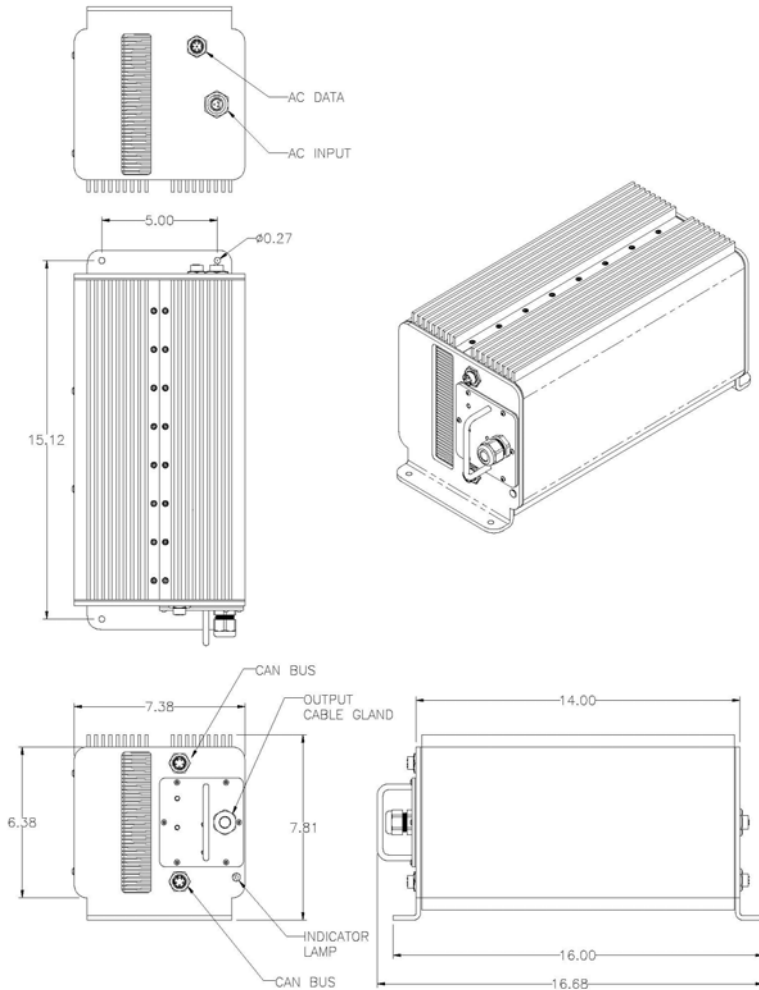
Cold Plate Water Cooled Version:



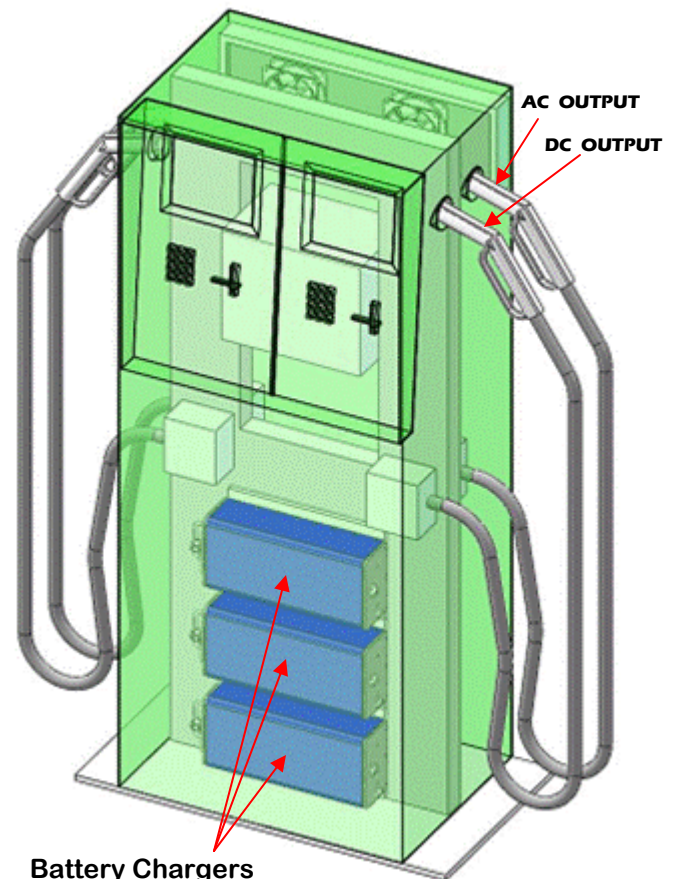
Stackable Version:



Mechanical Specifications:



AC & DC Charging Station:



PATENT PENDING



currentways.com
A division of LHV Power Corp.

Current Ways 10221 Buena Vista Ave. Santee, CA 92071 USA
Tel: 619.258.7700 Fax: 619.258.7733 sales@currentways.com