

LBC-3k45P ISOLATED EV BATTERY CHARGER

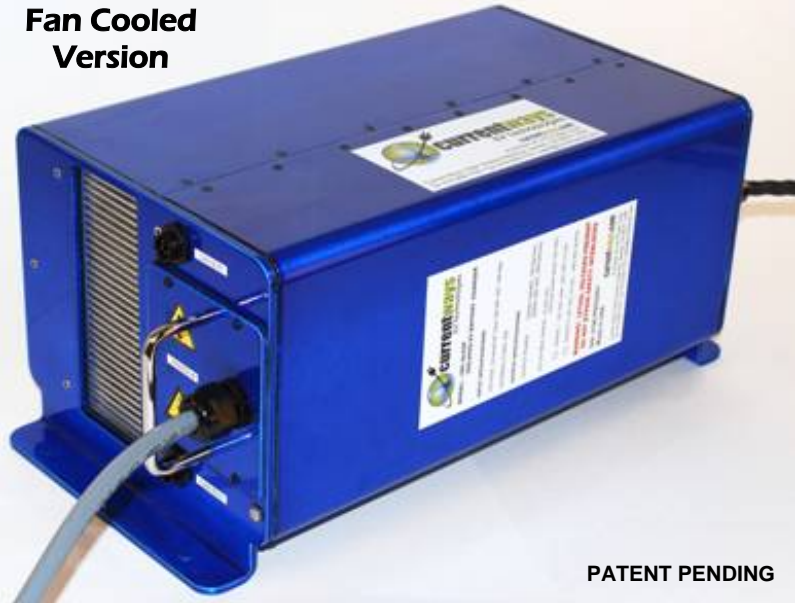
3kW 125 - 450 Volt Fully Automatic EV Battery Charger

This versatile, ruggedized and environmentally protected AC-DC charger can be mounted inside the vehicle providing charging capability anywhere the vehicle goes.

The LBC-3k45P can be configured to be used as a charging station providing electrical charge at home, work, or at a designated EV Charging Station freeing up space and weight in your vehicle.

DC input from Fuel Cells can be supported. Please contact the factory for details.

Fan Cooled Version



PATENT PENDING

PRODUCT FEATURES:

- Constant Power Output Bulk Charger with constant voltage and constant current modes
- Configurable Dual Range Output Modules available, 125~225VDC or 225~450VDC
- Fully isolated output, two stage design
- Current controlled universal power factor corrected (PFC) input
- Microprocessor controlled with dual CAN bus interface
- Time of day clock for programmable charging times
- Programmable charging profiles; Automatic, Manual, and BMS modes
- Multiple units can be paralleled for higher output levels 6kW, 9kW, 12kW and up
- Air cooled with thermostatically controlled fan. Water cooled versions also available
- LED indicator for charging status
- Modular Construction
- Multiple Mounting options
- Designed to meet or exceed standard industry regulations

INPUT SPECIFICATIONS

VOLTAGE	Universal AC Input (100-240 VAC)
FREQUENCY	47-63Hz
INRUSH CURRENT	< 40A @ 230 VAC, 60 Hz, Full Load
CURRENT	12A / 16A Depending on line voltage
PROTECTION	Fuse 20A, both lines
LEAKAGE	< .75mA @ 230 VAC, 60 Hz
EFFICIENCY	85-90% typical depending on line voltage
HARMONICS	EN61000-3-2

OUTPUT SPECIFICATIONS

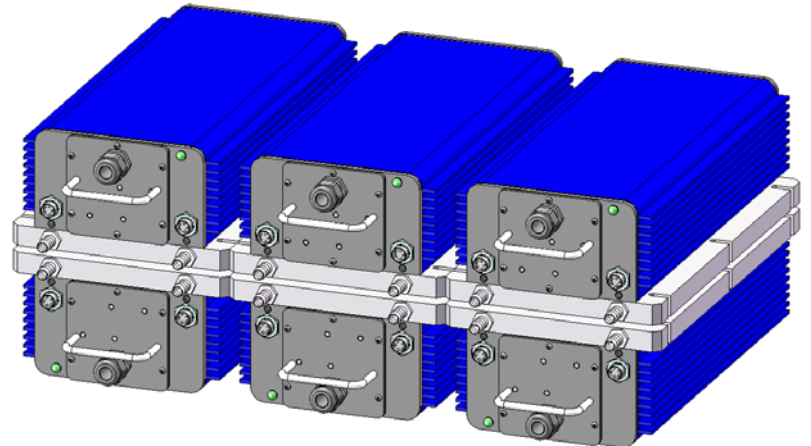
OUTPUT POWER	1200W (120VAC 15A service) 3000W (208VAC 20A service)
ADJUSTABLE RANGE	10-450 VDC (reduced power below 125 VDC)
RIPPLE	< 1% below 20 MHz
SETPOINT ACCURACY	~ 2% overall
OVER CURRENT PROTECTION	110% Self Limiting
OVER VOLTAGE PROTECTION	110% Self Limiting
OVER POWER PROTECTION	115%
OVER TEMP PROTECTION	85C



Cold Plate Water Cooled Version:

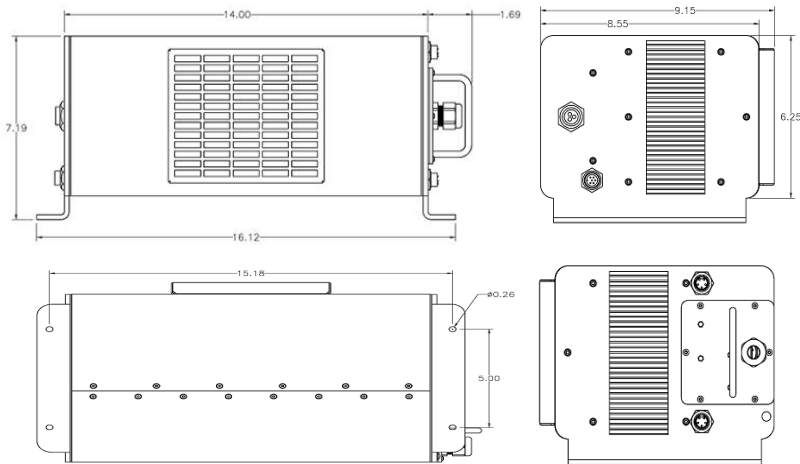


Stackable Version: CONCEPT DRAWING

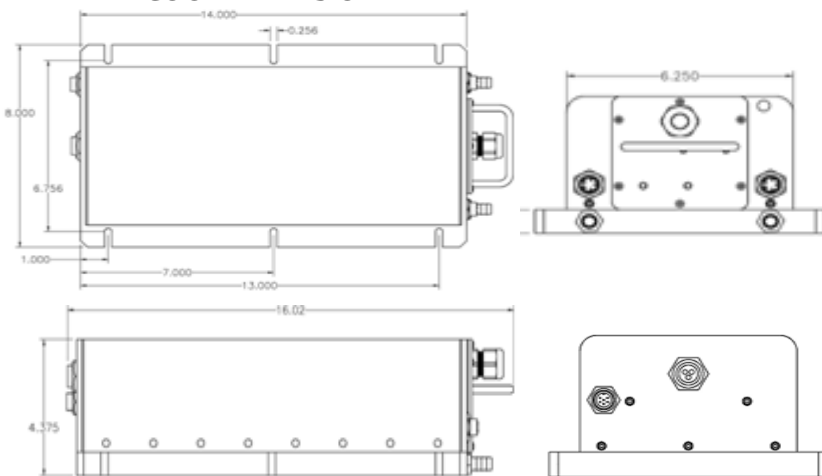


Mechanical Specifications:

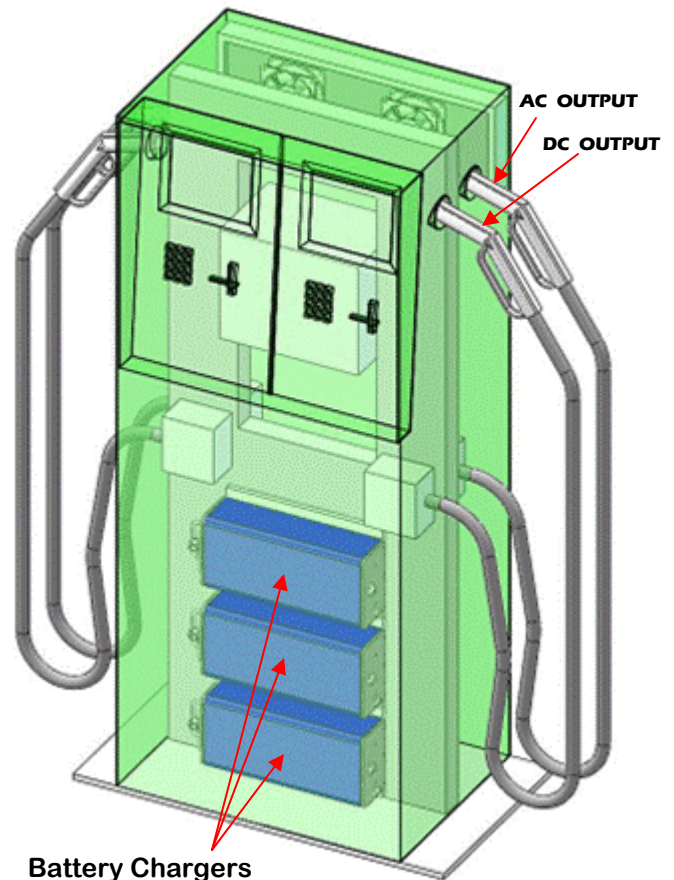
AIR COOLED VERSION



WATER COOLED VERSION



AC & DC Charging Station: CONCEPT DRAWING



Battery Chargers
in parallel

PATENT PENDING

